

NUBE

DINING CHAIR

Item Code: 10001

PRIMARY MATERIAL

Teak Wood

SECONDARY MATERIAL

Wicker / Upholstery

STANDARD COLLORS

TEAK FINISH



NATURAL



BLACK



ANTIGUA



LIGHT TEAK

FABRIC



Fontelina
090



Fontelina
160



Fontelina
090



Jalousie
090



Jalousie
140

WICKER



CARAMEL



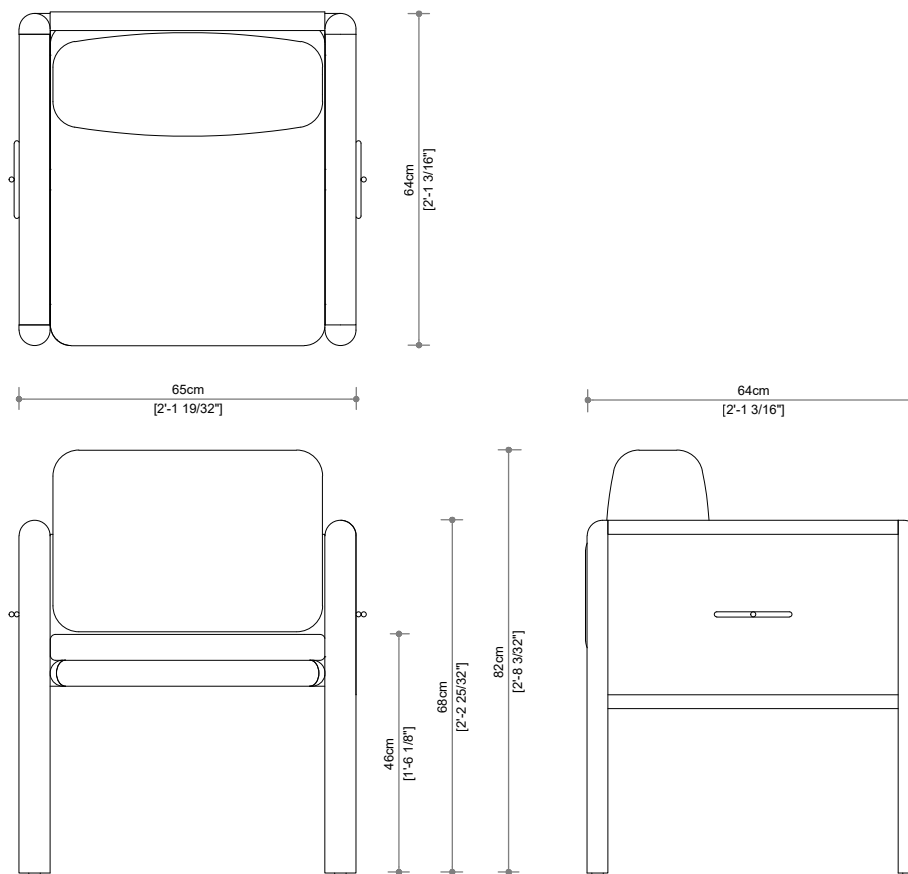
NATURAL



BLACK

DESIGN BY

JATI STUDIOS



PACKAGING DIMENSION

Width	68 cm
Length	68 cm
Height	85 cm

WEIGHT & VOLUME

Gross	20 Kg
Net	15 Kg
Volume	0.393 m ³
	20' / 40' / 40' HC
	76 / 140 / 168

DELIVERY UNIT

Unit	1 Unit
Pakging	1 Pcs / Box

NUBE

DINING TABLE

Item Code: 10001

PRIMARY MATERIAL

Teak Wood

SECONDARY MATERIAL

None

STANDARD COLLORS

TEAK FINISH



NATURAL



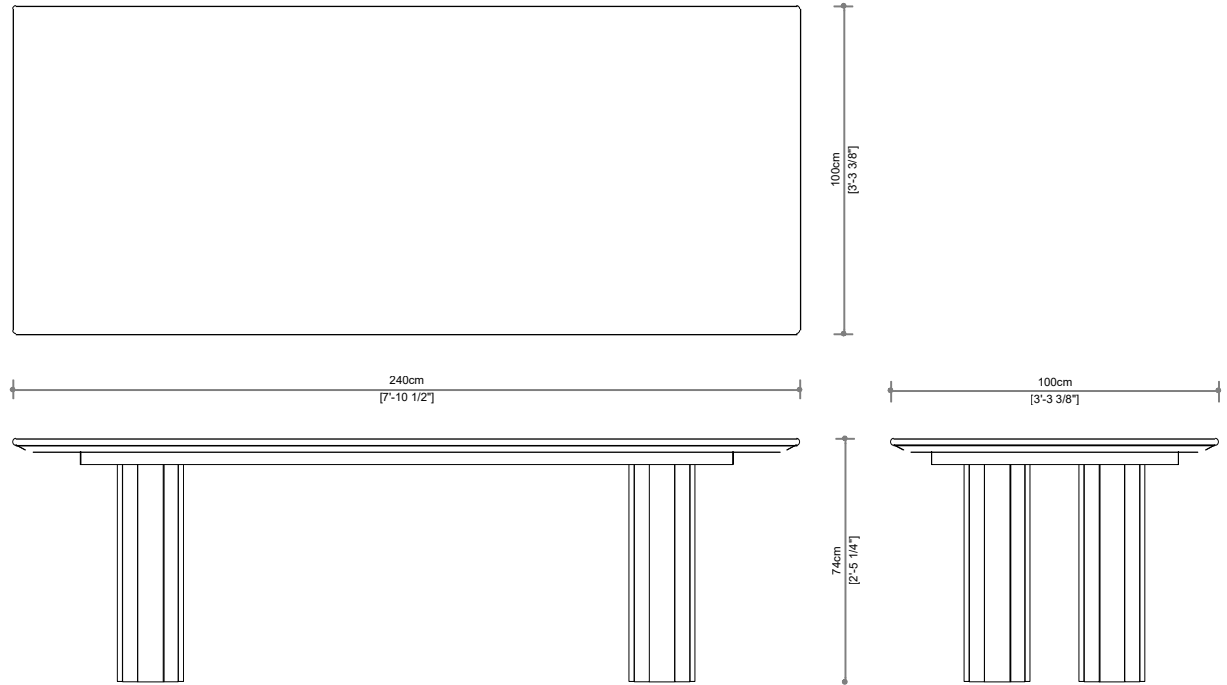
BLACK



ANTIGUA



LIGHT TEAK



PACKAGING DIMENSION

Width	104 cm
Length	244 cm
Height	40 cm

WEIGHT & VOLUME

Gross	62 Kg
Net	55.5 Kg
Volume	1.015 m ³
	20' / 40' / 40' HC
	30 / 54 / 65

DELIVERY UNIT

Unit	1 Unit
Packging	1 Pcs / Box

NUBE

LOUNGE

Item Code: 10001

PRIMARY MATERIAL

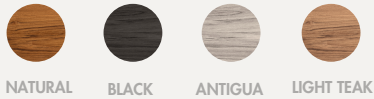
Teak Wood

SECONDARY MATERIAL

Wicker / Upholstery

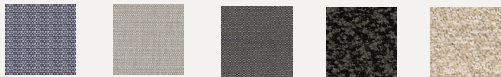
STANDARD COLLORS

TEAK FINISH



NATURAL BLACK ANTIGUA LIGHT TEAK

FABRIC



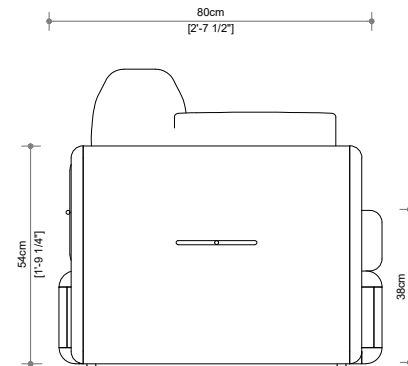
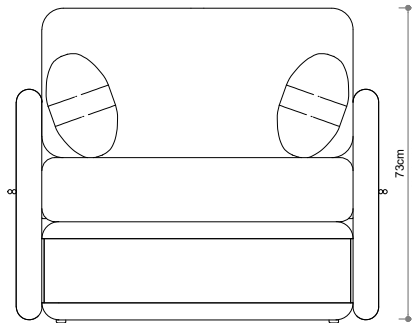
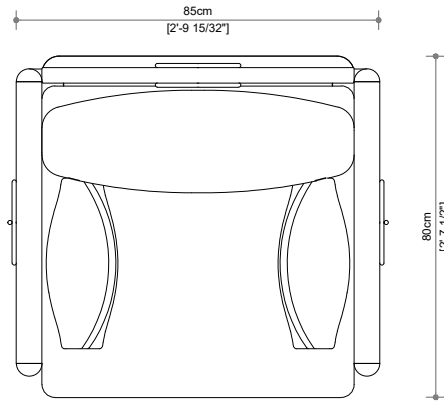
Fontelina 090 Fontelina 160 Fontelina 090 Jalousie 090 Jalousie 140

WICKER



CARAMEL NATURAL BLACK

DESIGN BY
JATI STUDIOS



PACKAGING DIMENSION

Width 84 cm
Length 90 cm
Height 60 cm

WEIGHT & VOLUME

Gross 41 Kg
Net 28 Kg
Volume 0.454 m³
20' / 40' / 40' HC 66 / 121 / 146

DELIVERY UNIT

Unit 1 Unit
Pakging 1 Pcs / Box

NUBE

LOVESEAT

Item Code: 10001

PRIMARY MATERIAL

Teak Wood

SECONDARY MATERIAL

Wicker / Upholstery

STANDARD COLLORS

TEAK FINISH



NATURAL



BLACK



ANTIGUA



LIGHT TEAK

FABRIC



Fontelina
090



Fontelina
160



Fontelina
090



Jalousie
090



Jalousie
140

WICKER



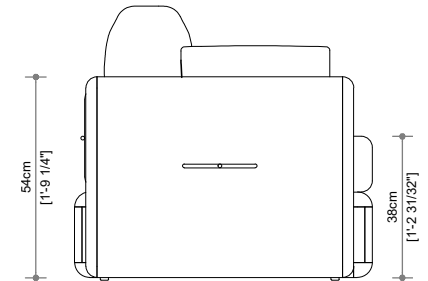
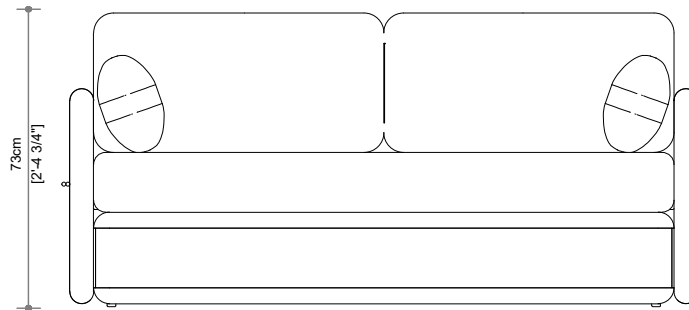
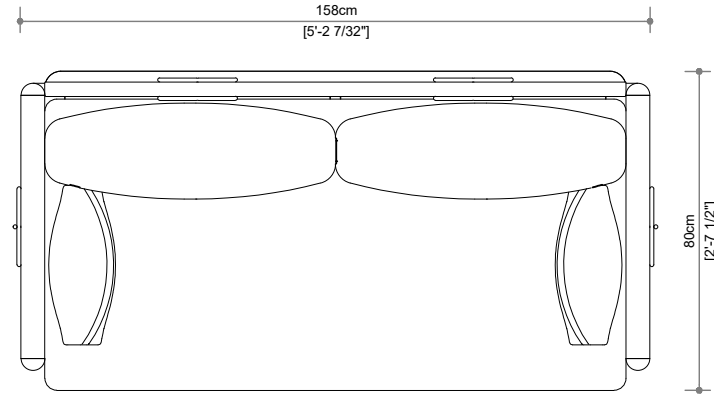
CARAMEL



NATURAL



BLACK



PACKAGING DIMENSION

Width	84 cm
Length	163 cm
Height	60 cm

WEIGHT & VOLUME

Gross	60 Kg
Net	40 Kg
Volume	0.822 m ³
	20' / 40' / 40' HC
	37 / 67 / 80

DELIVERY UNIT

Unit	1 Unit
Pakging	1 Pcs / Box

NUBE

SOFA 3S

Item Code: 10001

PRIMARY MATERIAL

Teak Wood

SECONDARY MATERIAL

Wicker / Upholstery

STANDARD COLLORS

TEAK FINISH



NATURAL



BLACK



ANTIGUA



LIGHT TEAK

FABRIC



Fontelina
090



Fontelina
160



Fontelina
090



Jalousie
090



Jalousie
140

WICKER



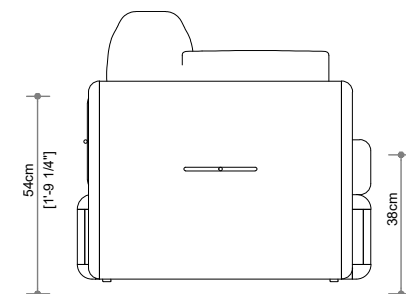
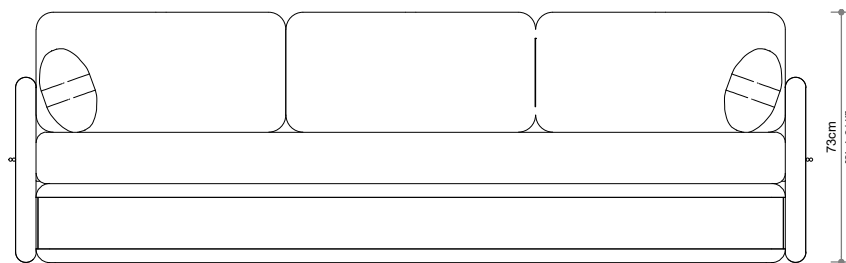
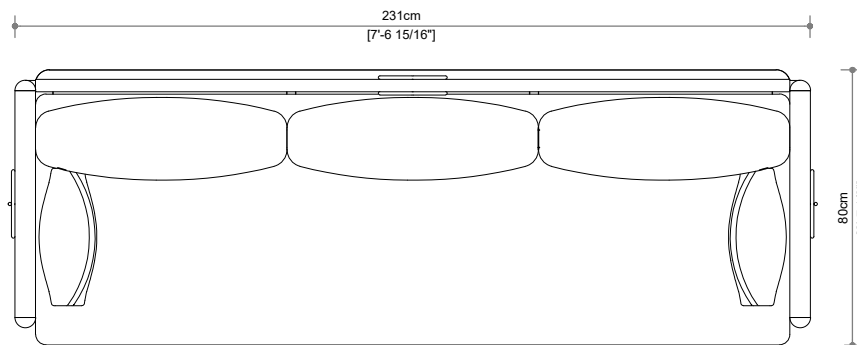
CARAMEL



NATURAL



BLACK



PACKAGING DIMENSION

Width	84 cm
Length	235 cm
Height	60 cm

WEIGHT & VOLUME

Gross	80 Kg
Net	52 Kg
Volume	1.184 m ³
	20' / 40' / 40' HC
	25 / 46 / 56

DELIVERY UNIT

Unit	1 Unit
Pakging	1 Pcs / Box

NUBE

FIRE PIT

Item Code: 10001

PRIMARY MATERIAL

Teak Wood

SECONDARY MATERIAL

Aluminium / Steel

STANDARD COLLORS

TEAK FINISH



NATURAL



BLACK

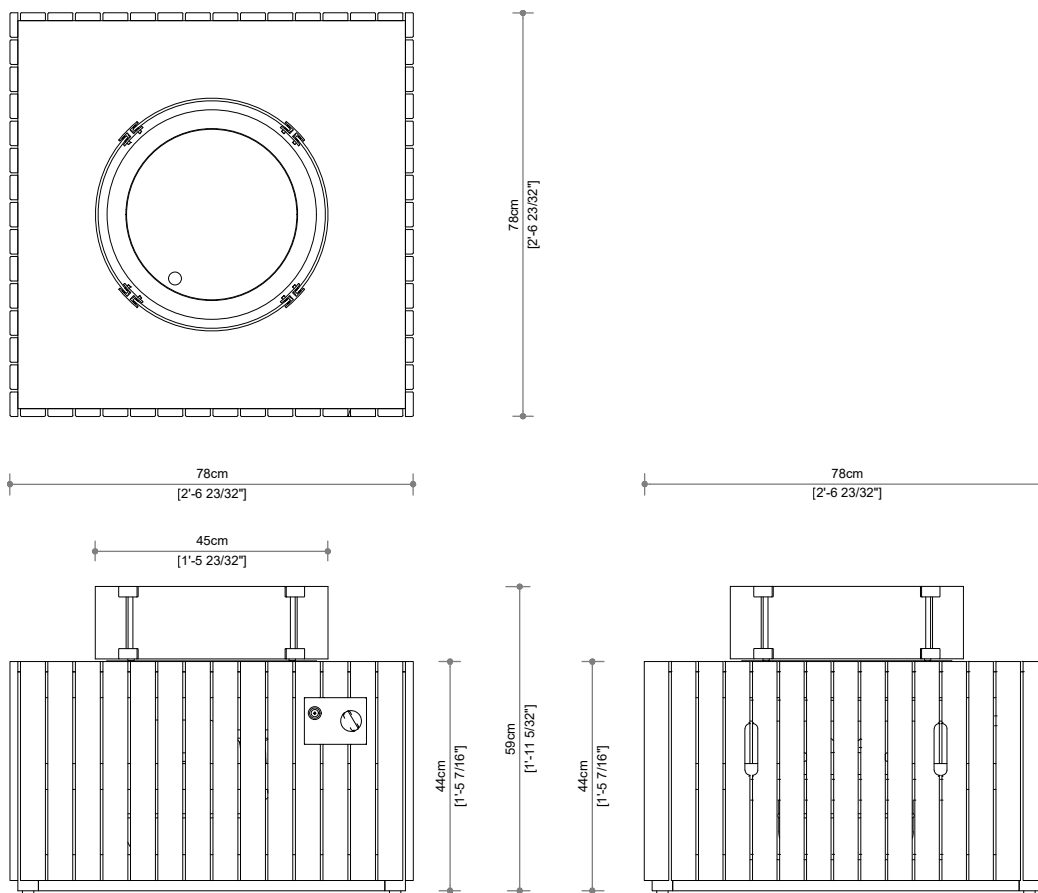


ANTIGUA



LIGHT TEAK

DESIGN BY
JATI STUDIOS



PACKAGING DIMENSION

Width	83 cm
Length	83 cm
Height	51 cm

WEIGHT & VOLUME

Gross	40 Kg
Net	36 Kg
Volume	0.351 m ³
	20' / 40' / 40' HC
	85 / 157 / 188

DELIVERY UNIT

Unit	1 Unit
Packging	1 Pcs / Box

NUBE

LOW COFFEE TABLE

Item Code: 10001

PRIMARY MATERIAL

Teak Wood

SECONDARY MATERIAL

None

STANDARD COLLORS

TEAK FINISH



NATURAL



BLACK

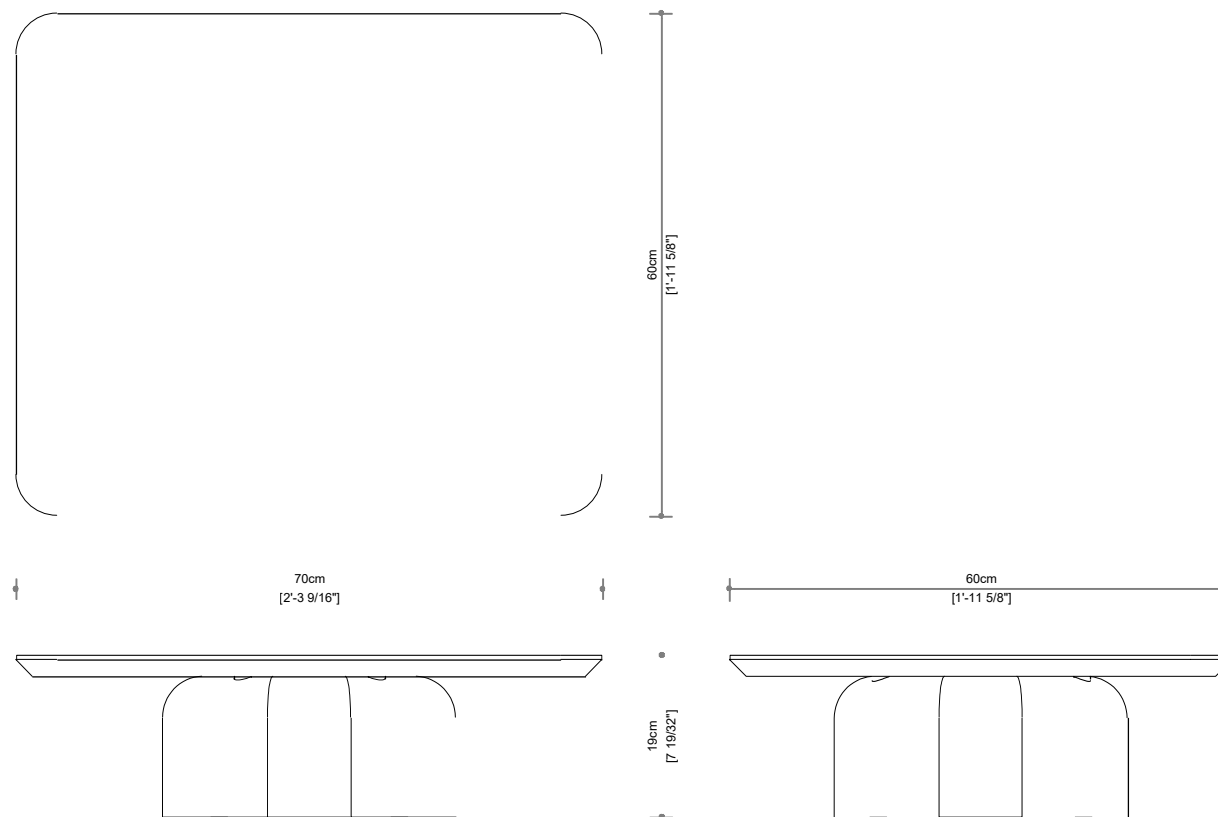


ANTIGUA



LIGHT TEAK

DESIGN BY
JATI STUDIOS



PACKAGING DIMENSION

Width	65 cm
Length	75 cm
Height	25 cm

WEIGHT & VOLUME

Gross	Kg
Net	Kg
Volume	0.122 m ³
20' / 40' / 40' HC	246 / 451 / 542

DELIVERY UNIT

Unit	1 Unit
Packging	1 Pcs / Box

NUBE

SIDE TABLE

Item Code: 10001

PRIMARY MATERIAL

Teak Wood

SECONDARY MATERIAL

None

STANDARD COLLORS

TEAK FINISH



NATURAL



BLACK

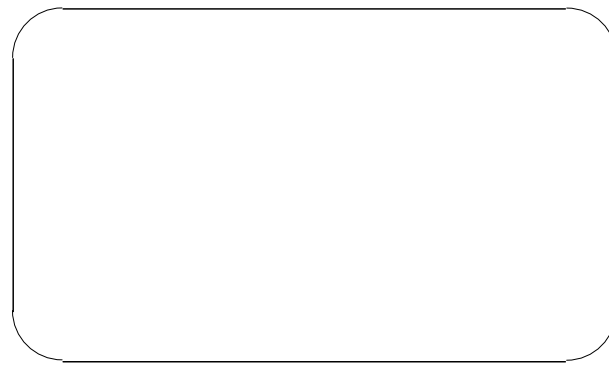


ANTIGUA

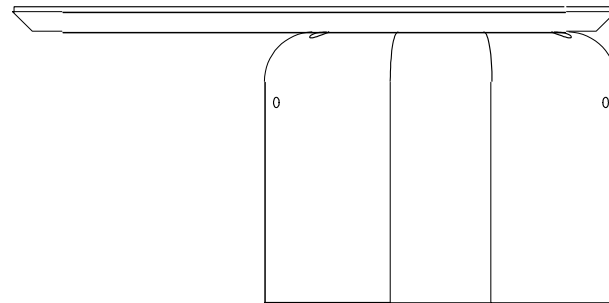
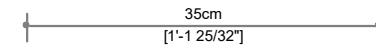
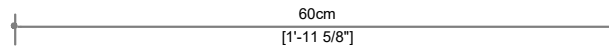


LIGHT TEAK

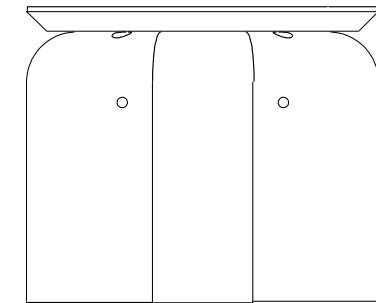
DESIGN BY
JATI STUDIOS



35cm
[1'-1 25/32"]



29cm
[1' 17/32"]



PACKAGING DIMENSION

Width	40 cm
Length	64 cm
Height	36 cm

WEIGHT & VOLUME

Gross	23 Kg
Net	21 Kg
Volume	0.092 m ³
	20' / 40' / 40' HC
	326 / 597 / 716

DELIVERY UNIT

Unit	1 Unit
Pakging	1 Pcs / Box

MUSE

LOUNGE

Item Code: 10001

PRIMARY MATERIAL

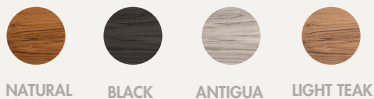
Teak Wood

SECONDARY MATERIAL

Aluminium

STANDARD COLLORS

TEAK FINISH



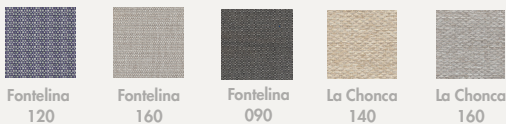
NATURAL BLACK ANTIGUA LIGHT TEAK

ALUMINIUM FINISH



BLACK SAND WHITE SAND SAGE SAND TERRACOTA BROWN SAND

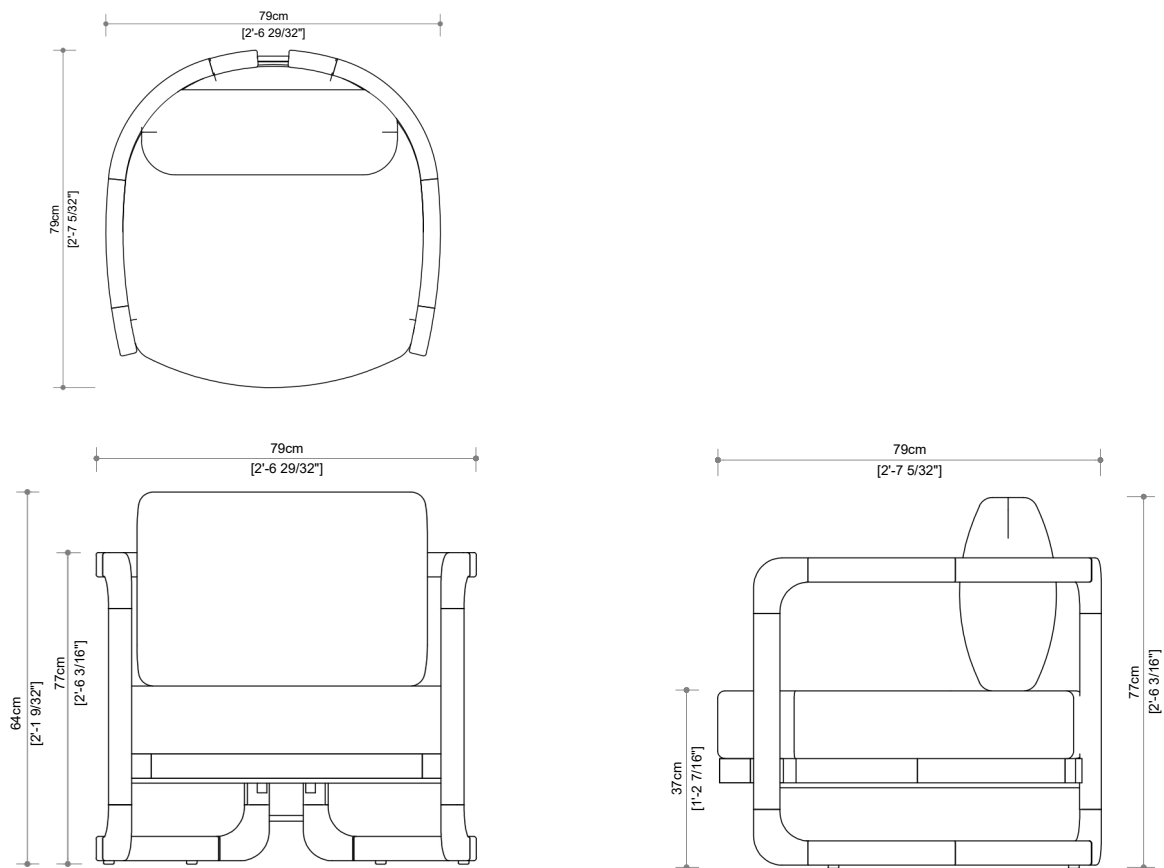
FABRIC



Fontelina 120 Fontelina 160 Fontelina 090 La Chonca 140 La Chonca 160

DESIGN BY

JATI STUDIOS



PACKAGING DIMENSION

Width	86 cm
Length	84 cm
Height	88 cm

WEIGHT & VOLUME

Gross	25.69 Kg
Net	17.69 Kg
Volume	0.6357 m ³
	20' / 40' / 40' HC
	39 / 81 / 99

DELIVERY UNIT

Unit	1 Unit
Packging	1 Pcs / Box

MUSE

LOVESEAT

Item Code: 10001

PRIMARY MATERIAL

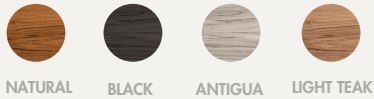
Teak Wood

SECONDARY MATERIAL

Aluminium

STANDARD COLLORS

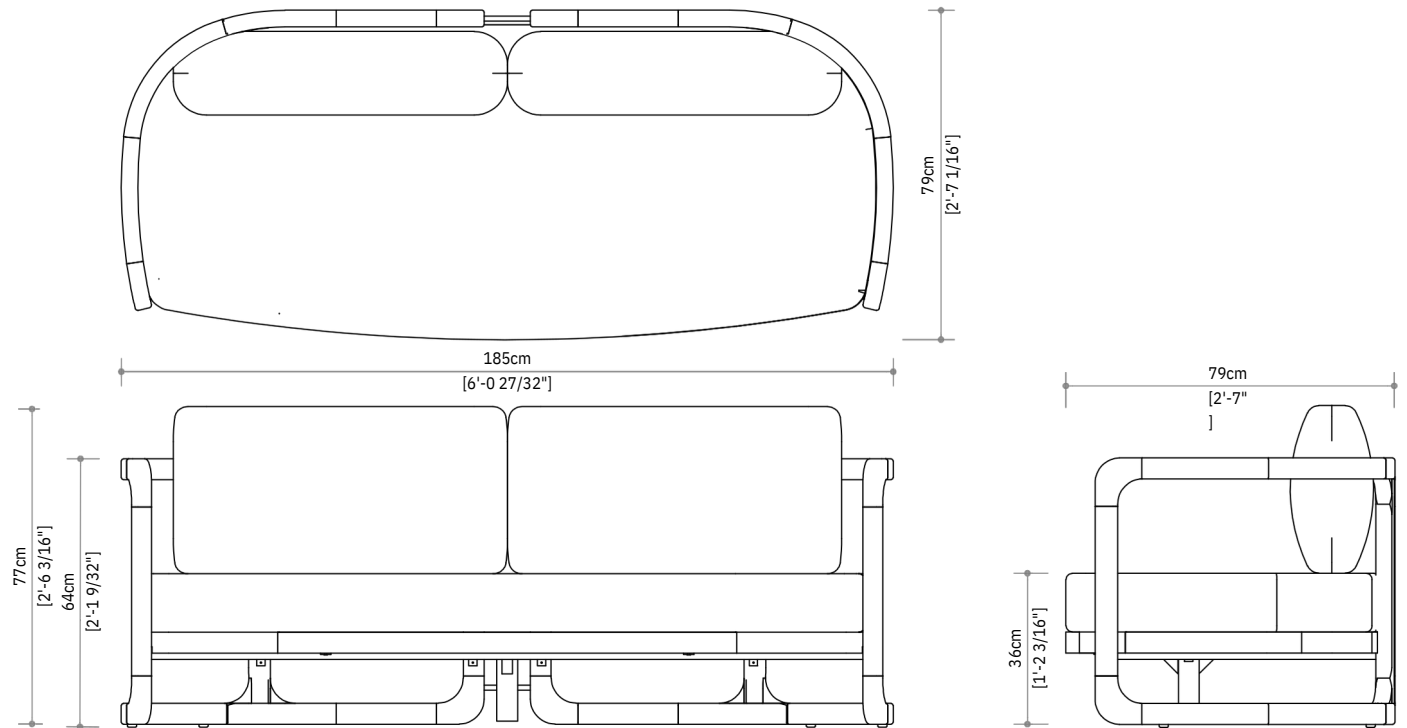
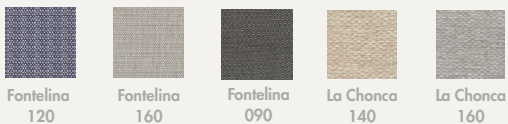
TEAK FINISH



ALUMINIUM FINISH



FABRIC



PACKAGING DIMENSION

Width	86 cm
Length	191 cm
Height	88 cm

WEIGHT & VOLUME

Gross	55.8 Kg
Net	42.8 Kg
Volume	1.446m ³
	20' / 40' / 40' HC
	17 / 35 / 43

DELIVERY UNIT

Unit	1 Unit
Pakging	1 Pcs / Box