

ALON

LOUNGE

Item Code: 10001

PRIMARY MATERIAL
Synthetic Wicker

SECONDARY MATERIAL
Aluminium/Steel

STANDARD COLLORS

TEAK FINISH



NATURAL



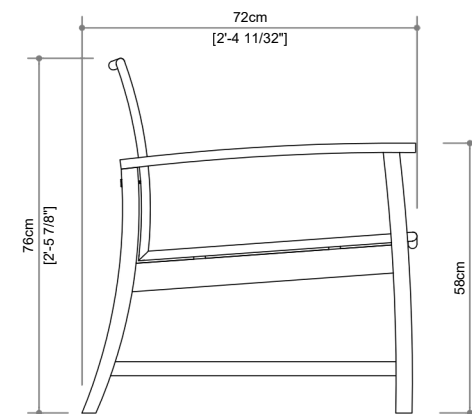
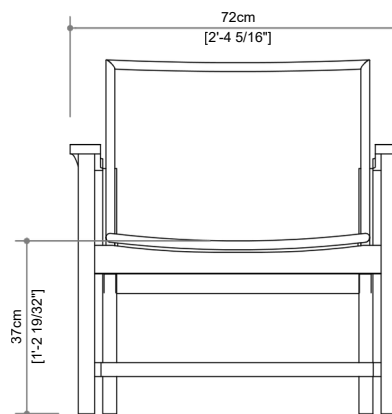
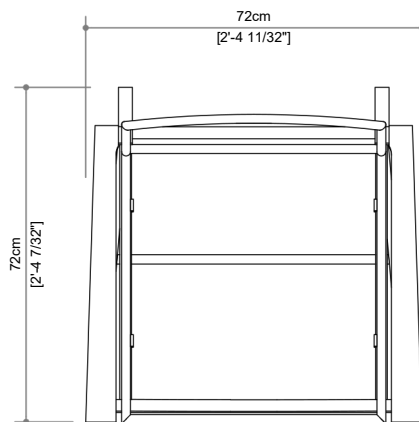
BLACK



ANTIGUA



LIGHT TEAK



PACKAGING DIMENSION

Width	75 cm
Length	75 cm
Height	81 cm

WEIGHT & VOLUME

Gross	18.25 Kg
Net	10.25 Kg
Volume	0.456 m ³
20'/40'/40' HC	55 / 114 / 138

DELIVERY UNIT

Unit	1 Unit
Pakging	1 Pcs / Box

ALON

LOVE SEAT

Item Code: 10001

PRIMARY MATERIAL

Synthetic Wicker

SECONDARY MATERIAL

Aluminium/Steel

STANDARD COLLORS

TEAK FINISH



NATURAL



BLACK



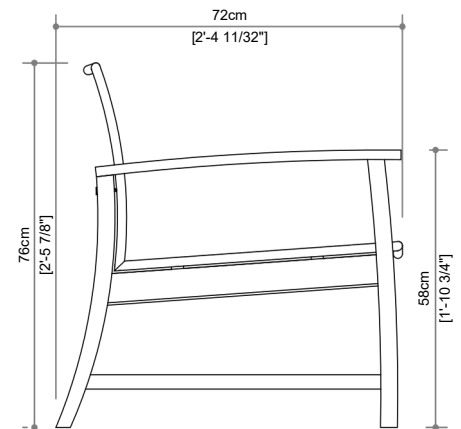
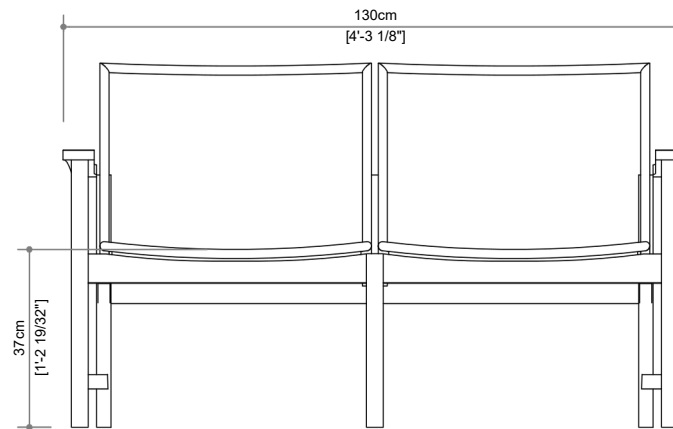
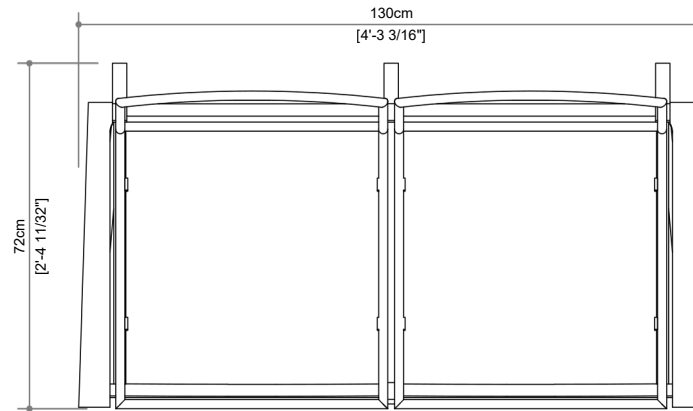
ANTIGUA



LIGHT TEAK

ALUMINIUM/STEEL FINISH

DESIGN BY
JATI STUDIOS



PACKAGING DIMENSION

Width	75 cm
Length	133 cm
Height	81 cm

WEIGHT & VOLUME

Gross	23 Kg
Net	15.5 Kg
Volume	0.808 m ³
	20' / 40' / 40' HC
	31 / 64 / 78

DELIVERY UNIT

Unit	1 Unit
Pakging	1 Pcs / Box

ALON

SOFA 3S

Item Code: 10001

PRIMARY MATERIAL

Synthetic Wicker

SECONDARY MATERIAL

Aluminium/Steel

STANDARD COLLORS

TEAK FINISH



NATURAL



BLACK

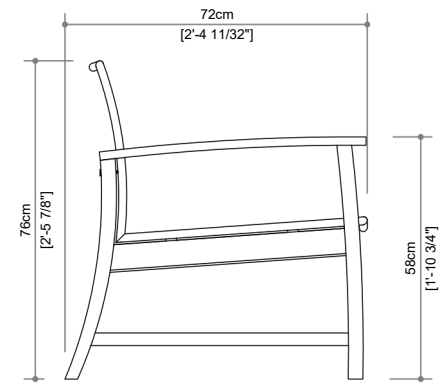
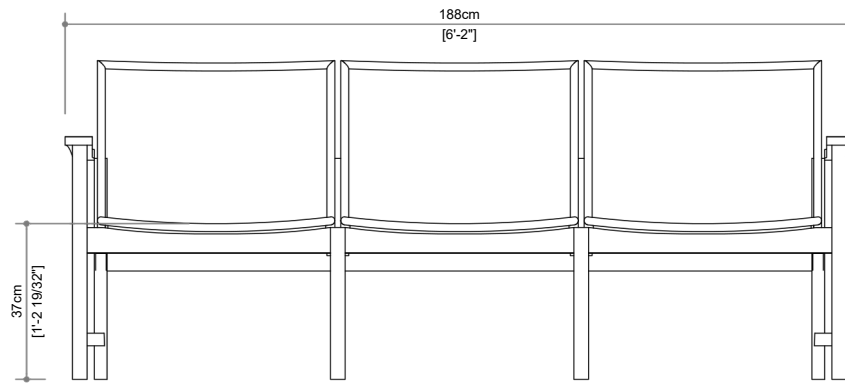
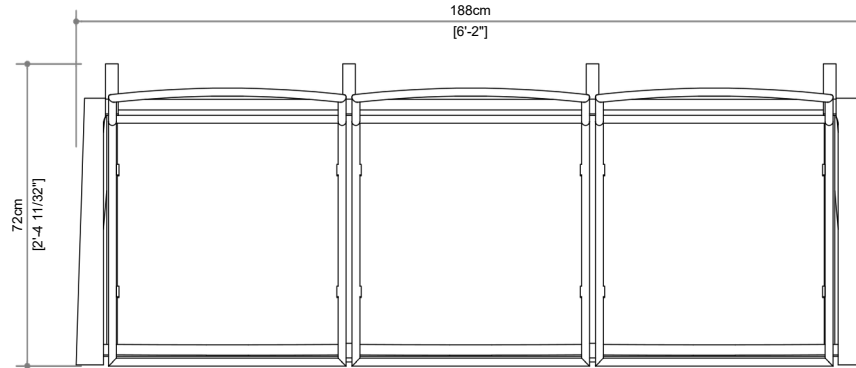


ANTIGUA



LIGHT TEAK

ALUMINIUM/STEEL FINISH



PACKAGING DIMENSION

Width	75 cm
Length	191 cm
Height	81 cm

WEIGHT & VOLUME

Gross	28.15 Kg
Net	20.15 Kg
Volume	1.160 m ³
20'/40'/40' HC	22 / 44 / 117

DELIVERY UNIT

Unit	1 Unit
Packging	1 Pcs / Box

ALON

DINING ARM CHAIR

Item Code: 10001

PRIMARY MATERIAL

Synthetic Wicker

SECONDARY MATERIAL

Aluminium/Steel

STANDARD COLLORS

TEAK FINISH



NATURAL



BLACK

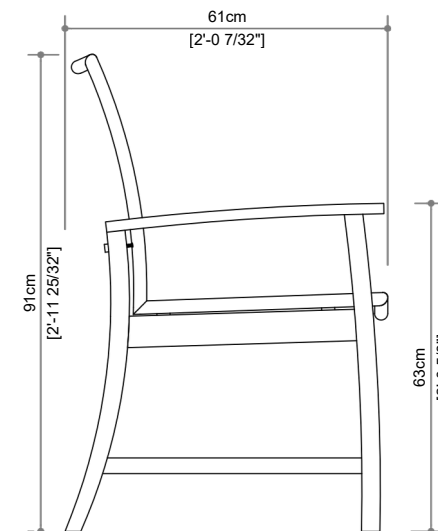
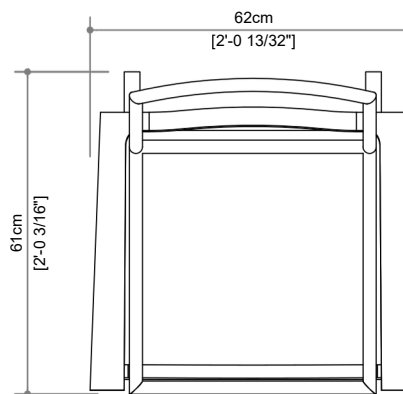
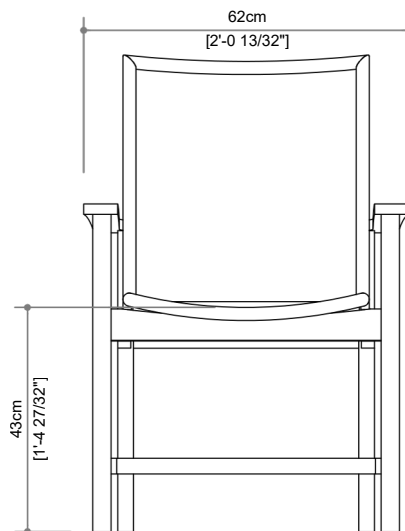


ANTIGUA



LIGHT TEAK

ALUMINIUM/STEEL FINISH



PACKAGING DIMENSION

Width	66 cm
Length	74 cm
Height	66 cm

WEIGHT & VOLUME

Gross	13.5 Kg
Net	8.5 Kg
Volume	0.337 m ³
20'/40'/40' HC	74 / 154 / 187

DELIVERY UNIT

Unit	1 Unit
Packging	1 Pcs / Box

ALON

OTTOMAN

Item Code: 10001

PRIMARY MATERIAL

Synthetic Wicker

SECONDARY MATERIAL

Aluminium/Steel

STANDARD COLLORS

TEAK FINISH



NATURAL



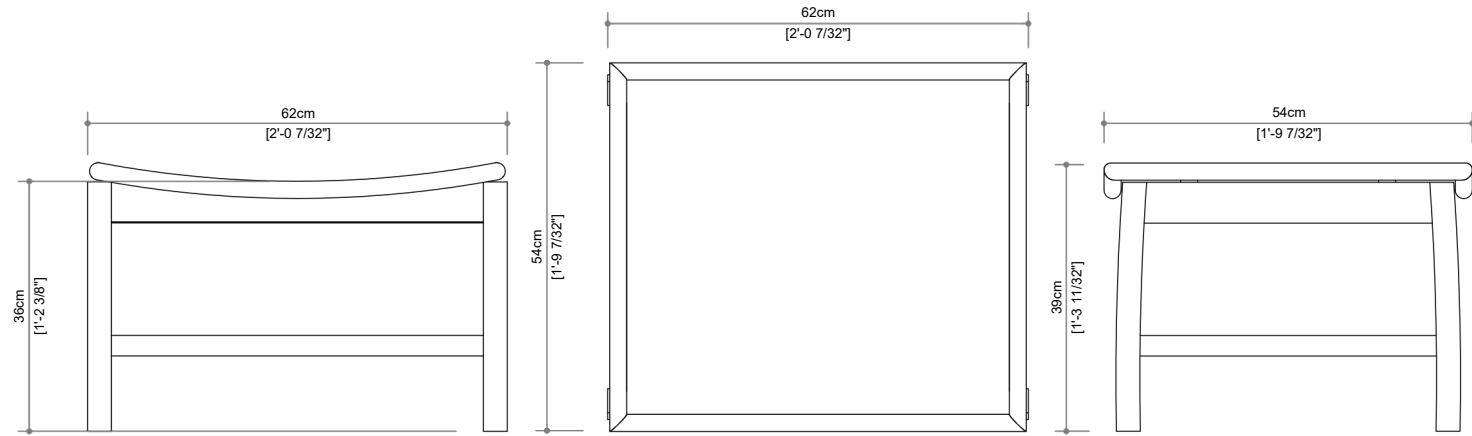
BLACK



ANTIGUA



LIGHT TEAK



PACKAGING DIMENSION

Width	115 cm
Length	228 cm
Height	33 cm

WEIGHT & VOLUME

Gross	38 Kg
Net	32 Kg
Volume	0.557 m ³
20'/40'/40' HC	54 / 99 / 117

DELIVERY UNIT

Unit	1 Unit
Packging	1 Pcs / Box

ALON

BARSTOOL

Item Code: 10001

PRIMARY MATERIAL

Synthetic Wicker

SECONDARY MATERIAL

Aluminium/Steel

STANDARD COLLORS

TEAK FINISH



NATURAL



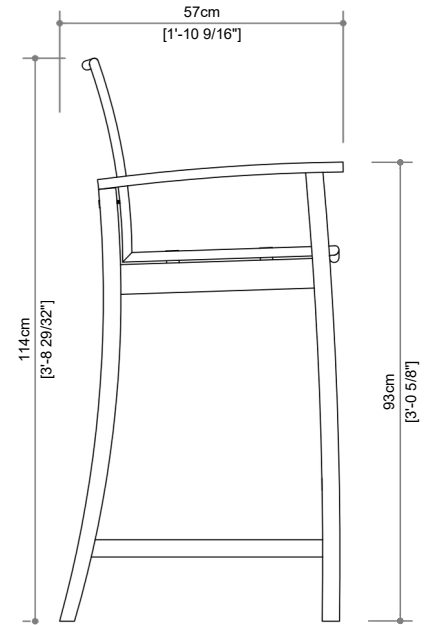
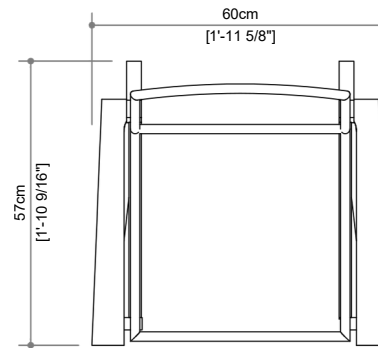
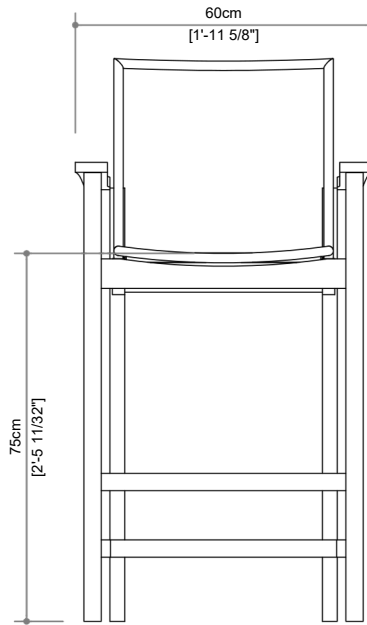
BLACK



ANTIGUA



LIGHT TEAK



PACKAGING DIMENSION

Width	61 cm
Length	63 cm
Height	117 cm

WEIGHT & VOLUME

Gross	13.5 Kg
Net	8.5 Kg
Volume	0.450 m ³
20'/40'/40' HC	56 / 116 / 140

DELIVERY UNIT

Unit	1 Unit
Packging	1 Pcs / Box

ALON

COFFEE TABLE

Item Code: 10001

PRIMARY MATERIAL

Synthetic Wicker

SECONDARY MATERIAL

Aluminium/Steel

STANDARD COLLORS

TEAK FINISH



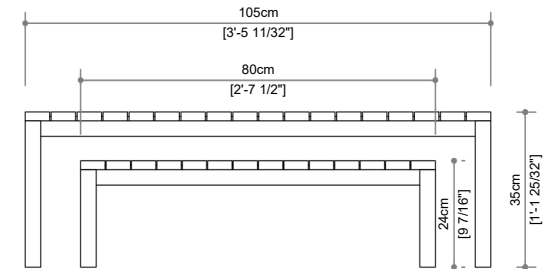
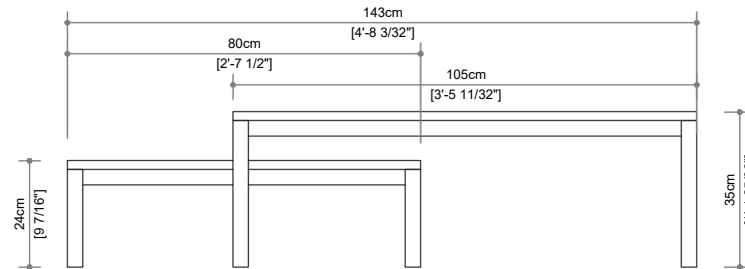
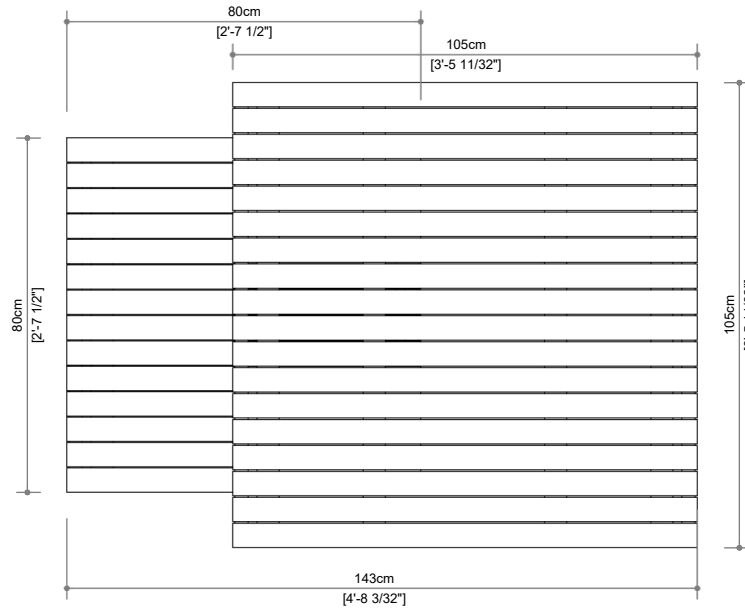
NATURAL BLACK ANTIGUA LIGHT TEAK

ALUMINIUM/STEEL FINISH



BLACK SAND WHITE SAND SAGE SAND TERRACOTA BROWN SAND CREAM SAND

DESIGN BY
JATI STUDIOS



PACKAGING DIMENSION

Width	84 cm
Length	84 cm
Height	38 cm

WEIGHT & VOLUME

Gross	29 Kg
Net	21.65 Kg
Volume	0.557 m ³
	20' / 40' / 40' HC
	93 / 194 / 235

DELIVERY UNIT

Unit	2 Unit
Pakging	2 Pcs / 1 Box

ALON

SWIVEL

Item Code: 10001

PRIMARY MATERIAL
Synthetic Wicker

SECONDARY MATERIAL
Aluminium/Steel

STANDARD COLLORS

TEAK FINISH



NATURAL



BLACK



ANTIGUA



LIGHT TEAK

ALUMINIUM/STEEL FINISH



BLACK SAND



WHITE SAND



SAGE SAND



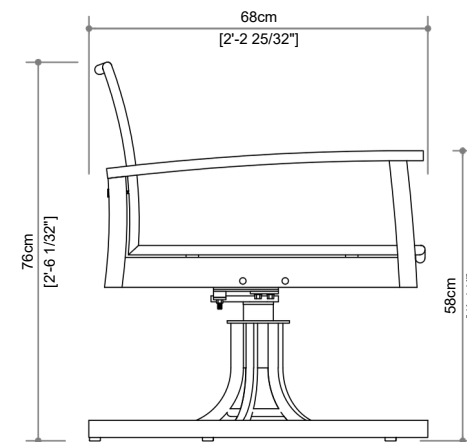
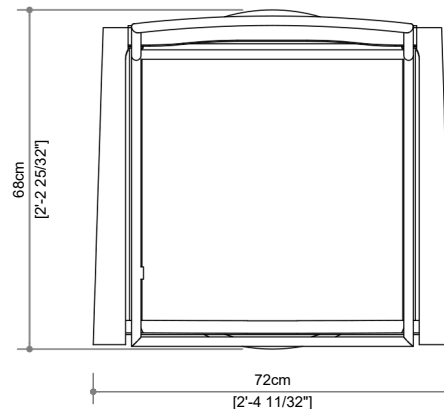
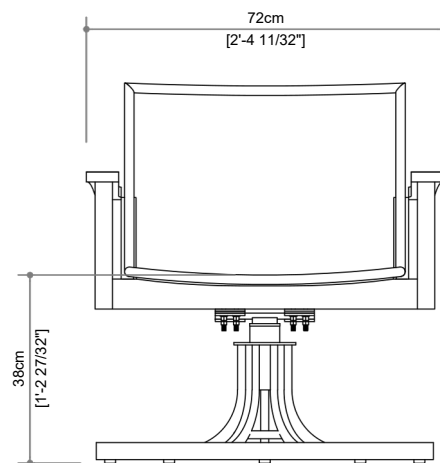
TERRACOTA



BROWN SAND



CREAM SAND



PACKAGING DIMENSION

Width	75 cm
Length	75 cm
Height	80 cm

WEIGHT & VOLUME

Gross	38 Kg
Net	32 Kg
Volume	0.450 m ³
	20' / 40' / 40' HC
	56 / 116 / 140

DELIVERY UNIT

Unit	1 Unit
Pakging	1 Pcs / Box